



MTECH Laboratories, LLC

High Voltage Sine Wave Generator with Low Voltage Rail Supply

Model: HV_SGEN_5_100
Product Sheet

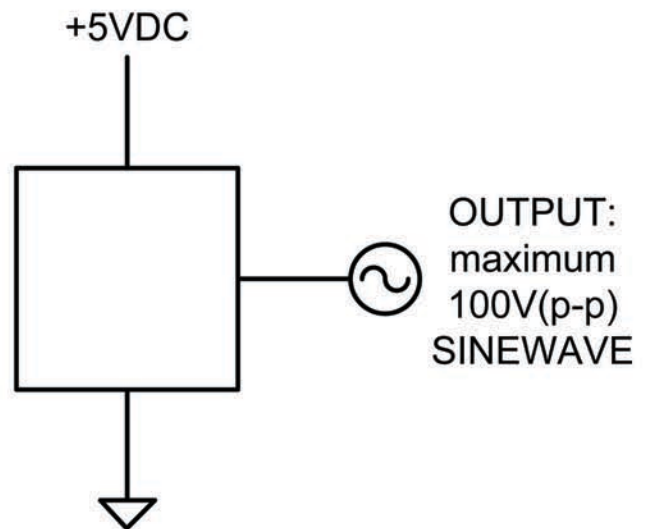
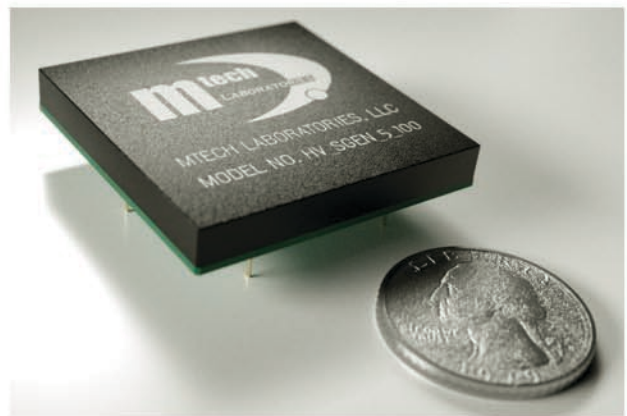
MTECH's family of high-voltage sine wave generators (HP_SGEN_5_100 series) are unique in that they produce a high-voltage sine wave from a single 5 V supply. The sine wave generators are available over a range of outputs and frequencies.

Features:

- Low profile, small footprint
- Supply: single rail +5 V nominal
- Output Voltage: User specified up to 100 V pp
- Output Current: 50 ma maximum
- Output Frequency: Fixed frequency, models from 10 Hz to 10 kHz

Applications:

- High voltage tone and waveform generators



Made in the USA